

LED CF LOW-PROFILE LED CANOPY LUMINAIRE



This elegant low-profile LED canopy fixture is ideal for parking garages or other applications using Metal Halide (MH), High-Pressure Sodium (HPS) or High Intensity Discharge (HID) luminaires. This fixture features an integral occupancy sensor module that can be commissioned using a hand-held remote for further energy savings. This UL listed & DLC premium luminaire is suitable for damp locations.

PROJECT NAME





PART NUMBER

PART NUMBER BUILDER

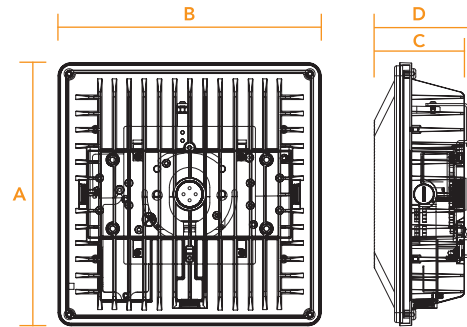
MANUFACTURER	MODEL NUMBER	LUMENS	COLOR TEMPERATURE	OPTIONS
RPT	LED CF	3100LM 4500LM 5800LM	4000K 5000K* * CUSTOM ORDER	10VDIM 0-10V DIMMABLE HV 348-480V AC LED DRIVER OCC HI/LO VARIABLE OCCUPANCY SENSOR

ORDERING EXAMPLE
RPT-LED CF-3100LM-4000K-10VDIM

QUICK SPECS

INPUT VOLTAGE	120-277V AC
EFFICACY	<100 LPW
OPERATING TEMP	-35°C to 55°C
MAX CASE TEMP	55°C
POWER FACTOR/THD	>0.9 Power Factor, THD<15%
CRI	70+
BEAM ANGLE SPREAD	120°
RATED LIFE	L70 LED Lifetime > 100,000 hrs
WARRANTY	10 years
CERTIFICATIONS	   Suitable for damp locations
PERFORMANCE LISTINGS	

DIMENSIONS



DIMENSIONS (INCHES)	A	B	C	D
RPT-LED CF	10.2	10.2	3.5	3.8

RemPhos by Light Efficient Design
lighting on target

FOR LIGHT EFFICIENT DESIGN PRODUCT INFO CALL Light Efficient Design, a division of TADD, LLC • 188 S. Northwest Highway • Cary, IL • 60013 • 847.380.3540 • led-llc.com
FOR REMPHOS PRODUCT INFO CALL RemPhos by Light Efficient Design • 30 Log Bridge Road, Building 200 • Middleton, MA 01949 • 877.997.3674 • remphos.com

04.26.18 Information is subject to change without notice.

LED^{CF} LOW-PROFILE LED CANOPY LUMINAIRE

ORDERING GUIDE

CASE QTY	QUICK SHIP	DLC	REMPHOS PART #	QUICK SHIP UPC CODE	LUMEN OUTPUT (LM)	WATTAGE (W)	CCT (K)	VOLTAGE RANGE (V AC)	WARRANTY (YRS)	TRADITIONAL EQUIVALENT
4		▲	RPT-LED ^{CF} -3100LM-4000K		3100LM	30	4000	120-277	10	75W MH/HPS
4		▲	RPT-LED ^{CF} -4500LM-4000K		4500LM	40	4000	120-277	10	125W MH/HPS
4	●	▲	RPT-LED ^{CF} -4500LM-4000K-OCC	84400601048	4500LM	40	4000	120-277	10	125W MH/HPS
4		▲	RPT-LED ^{CF} -5800LM-4000K		5800LM	52	4000	120-277	10	175W MH/HPS

▲ Fixtures are DLC Premium (V3.1 technical requirements)

OPTIONAL FACTORY INSTALLED OCC SENSOR



This fixture can be paired with our integral occupancy sensor for maximum energy savings. Unlike traditional passive infrared sensors (PIR) or Ultrasonic occupancy sensors, this high-frequency sensor can be hidden behind the lens eliminating the need for an external sensor and providing a clean look.

ACCESSORIES



PART#	DESCRIPTION
RPT-HC419VRC-REMOTE	Remote control for fixture commissioning

NOTE The OCC sensor module can be configured either via the dip switches on the module (this requires you to remove the lens) or via the remote. Only one remote is required to commission multiple fixtures.

RemPhos by Light Efficient Design
lighting on target

FOR LIGHT EFFICIENT DESIGN PRODUCT INFO CALL Light Efficient Design, a division of TADD, LLC • 188 S. Northwest Highway • Cary, IL • 60013 • 847.380.3540 • led-llc.com
FOR REMPHOS PRODUCT INFO CALL RemPhos by Light Efficient Design • 30 Log Bridge Road, Building 200 • Middleton, MA 01949 • 877.997.3674 • remphos.com

04.26.18 Information is subject to change without notice.